



STEEL LINE



m.marcus
architectural hardware

14 PR-TB10



14 PR-ARC9



15 PR-MT03



20 Thumbtuns



15 PR-US01



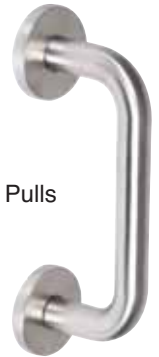
16 SS-101



16 SS-401



21-23 Pulls



24-25 Numerals & Signs



17 SS-451



17 SS-551



18 SS-601



26 Stops, Hooks, Pulls



18 SS-651



19 SS-701



28-29 Hinges



The durability of stainless steel, an attractive minimalist look and contemporary design, makes this collection perfect for total harmonisation with other fixtures or fittings.



CONTRACT LEVERS ON ROSE

Steel Levers on this page have a pressed steel fixing rose with push on rose cover



m.marcus
architectural hardware

PR-TB10

53mm Diameter
135mm Total Length
68mm Projection



FD30/60



PR-ARC9

53mm Diameter
140mm Total Length
68mm Projection



FD30/60



CONTRACT LEVERS ON ROSE

Steel Levers on this page have a pressed steel fixing rose with push on rose cover



m.marcus
architectural hardware

PR-MT03

53mm Diameter
135mm Total Length
68mm Projection



FD30/60



PR-US01

53mm Diameter
140mm Total Length
65mm Projection



FD30/60



LEVERS ON ROSE

Steel Levers on this page have a solid cast steel fixing rose with threaded rose cover



m.marcus
architectural hardware



SS-101

53mm Diameter
125mm Total Length
65mm Projection



FD30/60



SS-401

53mm Diameter
133mm Total Length
65mm Projection



FD30/60

LEVERS ON ROSE

Steel Levers on this page have a solid cast steel fixing rose with threaded rose cover



m.marcus
architectural hardware

SS-451

53mm Diameter
110mm Total Length
55mm Projection



FD30/60



SS-551

53mm Diameter
133mm Total Length
65mm Projection



FD30/60

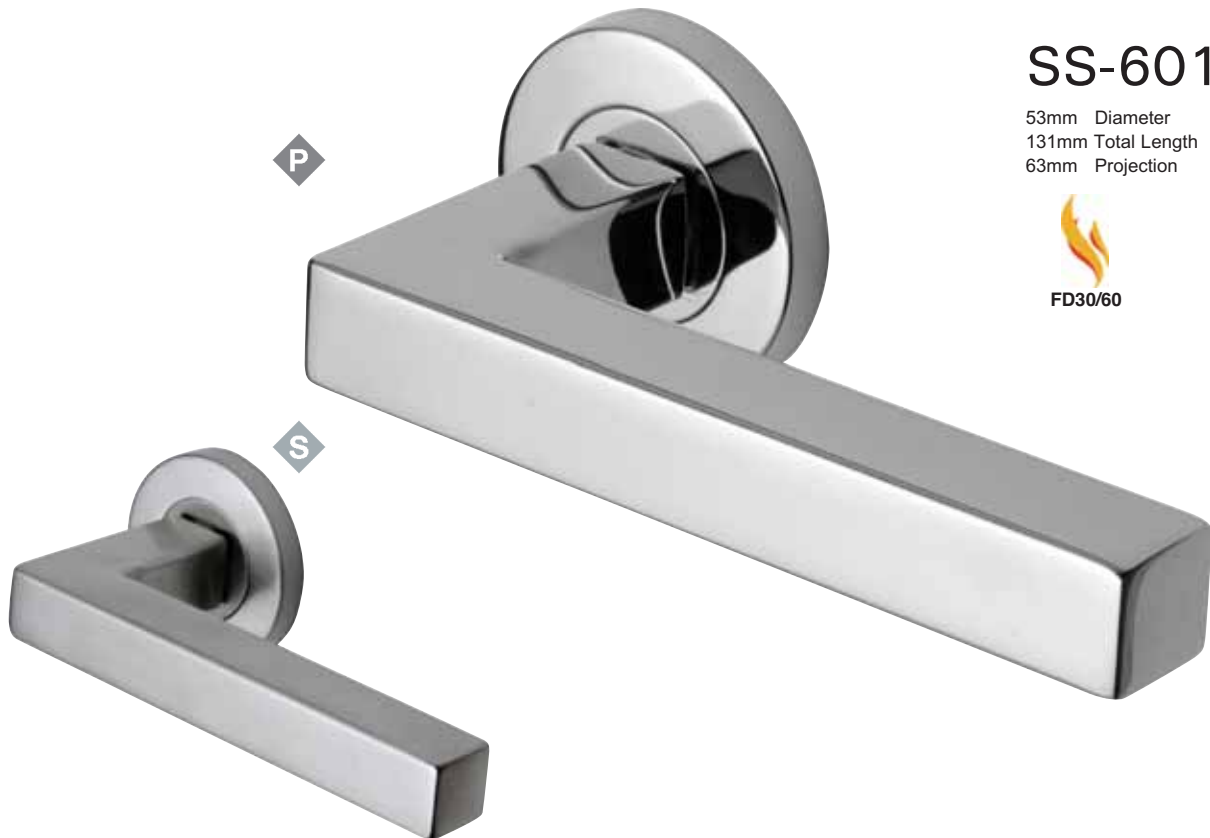


LEVERS ON ROSE

Steel Levers on this page have a solid cast steel fixing rose with threaded rose cover



m.marcus
architectural hardware



SS-601

53mm Diameter
131mm Total Length
63mm Projection



FD30/60



SS-651

53mm Diameter
133mm Total Length
65mm Projection



FD30/60

LEVERS ON ROSE

Steel Levers on this page have a solid cast steel fixing rose with threaded rose cover



m.marcus
architectural hardware

SS-701

53mm Diameter
133mm Total Length
65mm Projection



FD30/60

P



S

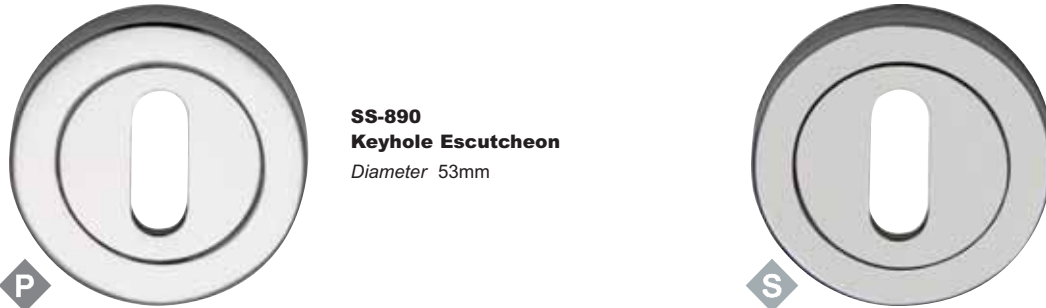




SS-895D
Snib & Release
Diameter 53mm



SS-895
Snib & Release
Diameter 53mm



SS-890
Keyhole Escutcheon
Diameter 53mm



SS-891
Euro Escutcheon
Diameter 53mm

PULL HANDLES

Large Entrance Pull Handle (Bolt Fix & Back to Back)



m.marcus
architectural hardware



SS-316 STEEL TYPE 316

CODE	DESCRIPTION	TUBE Dia.	LENGTH	C to C
SS-T250001-S	T Pull Bolt Fix	25mm	720mm	600mm
SS-T250002-S	T Pull Bolt Fix	25mm	1120mm	1000mm
SS-T320004-S	T Pull Bolt Fix	32mm	1400mm	1200mm
SS-T320005-S	T Pull Bolt Fix	32mm	2000mm	1800mm
SS-T250001R-S	T Pull Back to Back	25mm	720mm	600mm
SS-T250002R-S	T Pull Back to Back	25mm	1120mm	1000mm
SS-T320004R-S	T Pull Back to Back	32mm	1400mm	1200mm
SS-T320005R-S	T Pull Back to Back	32mm	2000mm	1800mm

Back to Back Pulls supplied as a pair

PULL HANDLES

Bolt Fix Pull Handle



m.marcus
architectural hardware



SS-304 19mm DIAMETER STEEL TYPE 304

CODE	DESCRIPTION	TUBE Dia.	C to C	FINISH
SS-D190001-S	Bolt Fix	19mm	150mm	Satin
SS-D190002-P	Bolt Fix	19mm	150mm	Polished
SS-D190003-S	Bolt Fix	19mm	225mm	Satin
SS-D190004-P	Bolt Fix	19mm	225mm	Polished
SS-D190005-S	Bolt Fix	19mm	300mm	Satin
SS-D190006-P	Bolt Fix	19mm	300mm	Polished
SS-D190007-S	Bolt Fix	19mm	425mm	Satin
SS-D190008-P	Bolt Fix	19mm	425mm	Polished
SS-D190009-S	Bolt Fix	19mm	600mm	Satin
SS-D190010-P	Bolt Fix	19mm	600mm	Polished



SS-304 22mm DIAMETER STEEL TYPE 304

CODE	DESCRIPTION	TUBE Dia.	C to C	FINISH
SS-D220001-S	Bolt Fix	22mm	150mm	Satin
SS-D220002-P	Bolt Fix	22mm	150mm	Polished
SS-D220003-S	Bolt Fix	22mm	225mm	Satin
SS-D220004-P	Bolt Fix	22mm	225mm	Polished
SS-D220005-S	Bolt Fix	22mm	300mm	Satin
SS-D220006-P	Bolt Fix	22mm	300mm	Polished
SS-D220007-S	Bolt Fix	22mm	425mm	Satin
SS-D220008-P	Bolt Fix	22mm	425mm	Polished
SS-D220009-S	Bolt Fix	22mm	600mm	Satin
SS-D220010-P	Bolt Fix	22mm	600mm	Polished

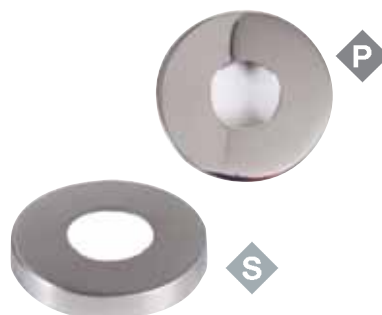
SS-316 22mm DIAMETER STEEL TYPE 316

CODE	DESCRIPTION	TUBE Dia.	C to C	FINISH
SS-D220105-S	Bolt Fix	22mm	300mm	Satin
SS-D220106-P	Bolt Fix	22mm	300mm	Polished
SS-D220107-S	Bolt Fix	22mm	425mm	Satin
SS-D220108-P	Bolt Fix	22mm	425mm	Polished
SS-D220109-S	Bolt Fix	22mm	600mm	Satin
SS-D220110-P	Bolt Fix	22mm	600mm	Polished

Bolt fixing pull handles are supplied with bolt through fixings only.

Optional fixing packs as illustrated are available to purchase separately, supplied with rose cover & under-rose in steel, concealed fixings & Allen key.

See below for details.



CONCEALED FIXING PACKS

CODE	DIAMETER	DEPTH.	FOR TUBE	FINISH
SS-D190021-S	53mm	8mm	19mm	Satin
SS-D190022-P	53mm	8mm	19mm	Polished
SS-D220021-S	53mm	8mm	22mm	Satin
SS-D220022-P	53mm	8mm	22mm	Polished

PULL HANDLES

Back to Back Fixing



m.marcus
architectural hardware

SS-304 19mm DIAMETER STEEL TYPE 304

CODE	DESCRIPTION	TUBE Dia.	C to C	FINISH
SS-D190011-S	Back to Back	19mm	150mm	Satin
SS-D190012-P	Back to Back	19mm	150mm	Polished
SS-D190013-S	Back to Back	19mm	225mm	Satin
SS-D190014-P	Back to Back	19mm	225mm	Polished
SS-D190015-S	Back to Back	19mm	300mm	Satin
SS-D190016-P	Back to Back	19mm	300mm	Polished
SS-D190017-S	Back to Back	19mm	425mm	Satin
SS-D190018-P	Back to Back	19mm	425mm	Polished
SS-D190019-S	Back to Back	19mm	600mm	Satin
SS-D190020-P	Back to Back	19mm	600mm	Polished

SS-304 22mm DIAMETER STEEL TYPE 304

CODE	DESCRIPTION	TUBE Dia.	C to C	FINISH
SS-D220011-S	Back to Back	22mm	150mm	Satin
SS-D220012-P	Back to Back	22mm	150mm	Polished
SS-D220013-S	Back to Back	22mm	225mm	Satin
SS-D220014-P	Back to Back	22mm	225mm	Polished
SS-D220015-S	Back to Back	22mm	300mm	Satin
SS-D220016-P	Back to Back	22mm	300mm	Polished
SS-D220017-S	Back to Back	22mm	425mm	Satin
SS-D220018-P	Back to Back	22mm	425mm	Polished
SS-D220019-S	Back to Back	22mm	600mm	Satin
SS-D220020-P	Back to Back	22mm	600mm	Polished

SS-316 22mm DIAMETER STEEL TYPE 316

CODE	DESCRIPTION	TUBE Dia.	C to C	FINISH
SS-D220115-S	Back to Back	22mm	300mm	Satin
SS-D220116-P	Back to Back	22mm	300mm	Polished
SS-D220117-S	Back to Back	22mm	425mm	Satin
SS-D220118-P	Back to Back	22mm	425mm	Polished
SS-D220119-S	Back to Back	22mm	600mm	Satin
SS-D220120-P	Back to Back	22mm	600mm	Polished



NUMERALS

Screw Fixing 76mm 3"



m.marcus
architectural hardware



SS-1560-0-S
SS-1560-0-P

Satin
Polished



SS-1560-1-S
SS-1560-1-P

Satin
Polished



SS-1560-2-S
SS-1560-2-P

Satin
Polished



SS-1560-3-S
SS-1560-3-P

Satin
Polished



SS-1560-4-S
SS-1560-4-P

Satin
Polished



SS-1560-5-S
SS-1560-5-P

Satin
Polished



SS-1560-6-S
SS-1560-6-P

Satin
Polished



SS-1560-7-S
SS-1560-7-P

Satin
Polished



SS-1560-8-S
SS-1560-8-P

Satin
Polished



SS-1560-9-S
SS-1560-9-P

Satin
Polished

SIGNS & SYMBOLS

All 76mm Diameter



m.marcus
architectural hardware



SS-SIGN001-S Satin
SS-SIGN002-P Polished



SS-SIGN009-S Satin
SS-SIGN010-P Polished



SS-SIGN011-S Satin
SS-SIGN012-P Polished



SS-SIGN007-S Satin
SS-SIGN008-P Polished



SS-SIGN017-S Satin
SS-SIGN018-P Polished



SS-SIGN015-S Satin
SS-SIGN016-P Polished



SS-SIGN021-S Satin
SS-SIGN022-P Polished



SS-SIGN019-S Satin
SS-SIGN020-P Polished



SS-SIGN013-S Satin
SS-SIGN014-P Polished



SS-SIGN023-S Satin
SS-SIGN024-P Polished



SS-SIGN003-S Satin
SS-SIGN004-P Polished



SS-SIGN005-S Satin
SS-SIGN006-P Polished

DOOR STOPS - HOOKS - FLUSH BOLTS AND PULLS



H 85mm
Max Dia. 46mm Min Dia. 19mm



SS-STOP007-S Concealed Fix Satin
SS-STOP008-P Concealed Fix Polished

H 40mm
Max Dia. 35mm
Min Dia. 30mm



SS-STOP003-S Concealed Fix Satin
SS-STOP004-P Concealed Fix Polished

H 51mm
Max Dia. 35mm
Min Dia. 30mm



SS-STOP005-S Concealed Fix Satin
SS-STOP006-P Concealed Fix Polished

H 24mm
Dia. 44mm



SS-STOP001-S Concealed Fix Satin
SS-STOP002-P Concealed Fix Polished



H 125mm
W 18mm

SS-HOOK005-S Buffered Hat & Coat Satin
SS-HOOK006-P Buffered Hat & Coat Polished



H 125mm
W 18mm

SS-HOOK003-S Hat & Coat Satin
SS-HOOK004-P Hat & Coat Polished

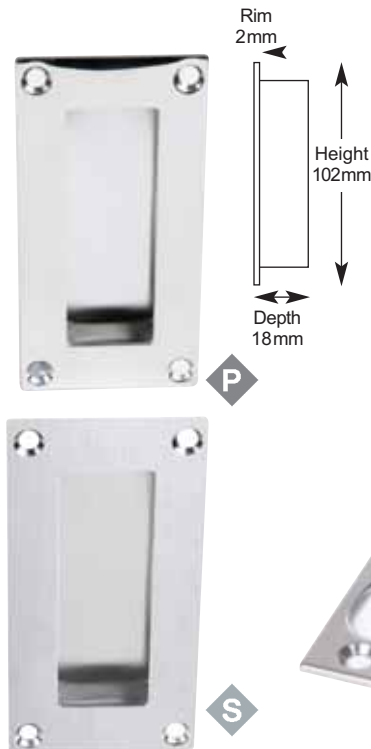


H 64mm
W 18mm

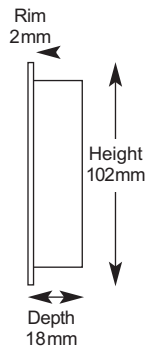
SS-HOOK001-S Hat & Coat Satin
SS-HOOK002-P Hat & Coat Polished



SS-FPULL001-S Circular Flush Pull Satin
SS-FPULL002-P Circular Flush Pull Polished



SS-FPULL003-S 51mm Wide Flush Pull Satin
SS-FPULL004-P 51mm Wide Flush Pull Polished



SS-FBOLT001-S Flush Bolt 203 x 19mm Satin
SS-FBOLT002-P Flush Bolt 203 x 19mm Polished

CYLINDER PULLS AND FINGER PLATES



m.marcus
architectural hardware



1. Category of use
 2. Durability
 3. Test door mass
 4. Suitability for fire/smoke door use
 5. Safety
 6. Corrosion resistance
 7. Security
 8. Hinge grade

4	7	6	1	1	4	1	13
---	---	---	---	---	---	---	----

Digit 1

Category of use

Four categories of use are identified:

- Grade 1: light duty
- Grade 2: medium duty
- Grade 3: heavy duty
- Grade 4: severe duty

Digit 2

Durability

- grade 3: 10 000 test cycles, for light duty hinges on windows only
- grade 4: 25 000 test cycles, for light duty hinges on windows and doors
- grade 7: 200 000 test cycles, for medium, heavy and severe duty hinges on doors only

Digit 3

Test door mass

Eight door mass grades related to single-axis hinges are identified in this European standard as shown in table *Figure 1*

Test door mass grade	Door mass
0	10 kg
1	20 kg
2	40 kg
3	60 kg
4	80 kg
5	100 kg
6	120 kg
7	160 kg

Figure 1

Digit 4

Suitability for fire/smoke door use

- Two grades of suitability are identified for single-axis hinges:
- Grade 0: not suitable for fire/smoke resistant door assemblies
- Grade 1: suitable for fire/smoke resistant door assemblies subject to satisfactory assessment of the contribution of the single-axis hinge to the fire resistance of the specified fire/smoke door assemblies. Such assessment is beyond the scope of this European standard (see EN 1634-1).

Digit 5

Safety

Single-axis hinges are required to satisfy the essential requirements of safety in use. Therefore, only grade 1 is identified.

Digit 6

Corrosion resistance

- Five grades of corrosion resistance are identified in accordance with EN 1670:
- Grade 0: no defined corrosion resistance.
- Grade 1: mild resistance.
- Grade 2: moderate resistance.
- Grade 3: high resistance.
- Grade 4: very high resistance.

Digit 7

Security

- Two grades of security are identified for single-axis hinges:
- Grade 0: not suitable for use on burglar-resistant door assemblies
- Grade 1: suitable for applications requiring a degree of security.

Digit 8

Hinge grade

Fourteen grades are identified. 1-14 in table *Figure 2*

Hinge grade	Usage	Test cycles	Door mass
1	Window	10 000	10 kg
2	Window	10 000	20 kg
3	Window/Door	25 000	20 kg
4	Door	200 000	20 kg
5	Window	10 000	40 kg
6	Window/Door	25 000	40 kg
7	Door	200 000	40 kg
8	Window	10 000	60 kg
9	Window/Door	25 000	60 kg
10	Door	200 000	60 kg
11	Door	200 000	80 kg
12	Door	200 000	100 kg
13	Door	200 000	120 kg
14	Door	200 000	160 kg

Figure 2

HINGES

Hinges are All Supplied with Fixing Screws



m.marcus
architectural hardware



- SS-4X33SS 4"x3"x3mm Ball Bearing Hinge (pair) Satin
- SS-4X33PS 4"x3"x3mm Ball Bearing Hinge (pair) Polished
- SS-4X33PVD 4"x3"x3mm Ball Bearing Hinge (pair) PVD Stainless Steel
- SS-4X331.5SS 4"x3"x3mm Ball Bearing Hinge (1.5 pair) Satin
- SS-4X331.5PS 4"x3"x3mm Ball Bearing Hinge (1.5 pair) Polished

BS EN 1935:2002 single axis hinges classification code.

4	7	6	1	1	4	0	13
---	---	---	---	---	---	---	----



1121 Grade 13



- SS-4X33RSS 4"x3"x3mm Ball Bearing Radius Corners (pair) Satin
- SS-4X33RPS 4"x3"x3mm Ball Bearing Radius Corners (pair) Polished
- SS-4X33RPVD 4"x3"x3mm Ball Bearing Radius Corners (pair) PVD Stainless Steel
- SS-4X331.5RSS 4"x3"x3mm Ball Bearing Radius Corners (1.5 pair) Satin
- SS-4X331.5RPS 4"x3"x3mm Ball Bearing Radius Corners (1.5 pair) Polished

BS EN 1935:2002 single axis hinges classification code.

4	7	6	1	1	4	0	13
---	---	---	---	---	---	---	----



1121 Grade 13



- SS-4X33DBSS 4"x3"x3mm Ball Bearing with security Dog Bolt Satin
- SS-4X33DBPS 4"x3"x3mm Ball Bearing with security Dog Bolt Polished
- SS-4X33DBPVD 4"x3"x3mm Ball Bearing with security Dog Bolt PVD Stainless Steel

BS EN 1935:2002 single axis hinges classification code.

4	7	6	1	1	4	1	13
---	---	---	---	---	---	---	----



1121 Grade 13



- SS-4X43SS 4"x4"x3mm Ball Bearing Hinges (pair) Satin
- SS-4X43PS 4"x4"x3mm Ball Bearing Hinges (pair) Polished
- SS-4X43PVD 4"x4"x3mm Ball Bearing Hinges (pair) PVD Stainless Steel
- SS-4X431.5SS 4"x4"x3mm Ball Bearing Hinges (1.5 pair) Satin
- SS-4X431.5PS 4"x4"x3mm Ball Bearing Hinges (1.5 pair) Polished

BS EN 1935:2002 single axis hinges classification code.

4	7	6	1	1	4	0	13
---	---	---	---	---	---	---	----



1121 Grade 13



- SS-3X22SS 3"x2"x2mm 2BB Satin
- SS-3X22PS 3"x2"x2mm 2BB Polished
- SS-3X22PVD 3"x2"x2mm 2BB PVD Stainless Steel

BS EN 1935:2002 single axis hinges classification code.

2	7	2	0	1	4	0	7
---	---	---	---	---	---	---	---



1121 Grade 7

